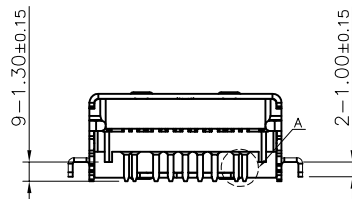
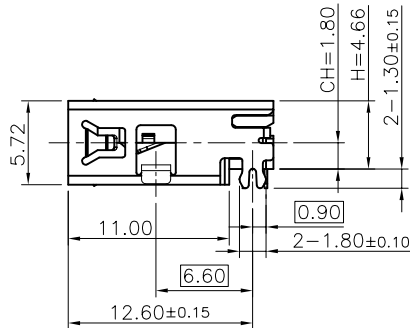
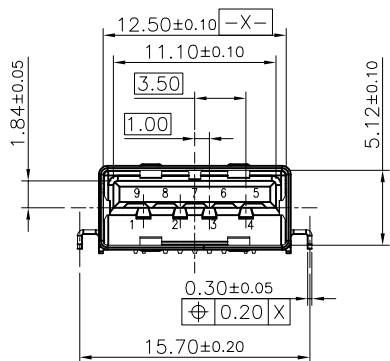
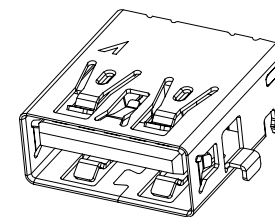


DETAIL: A

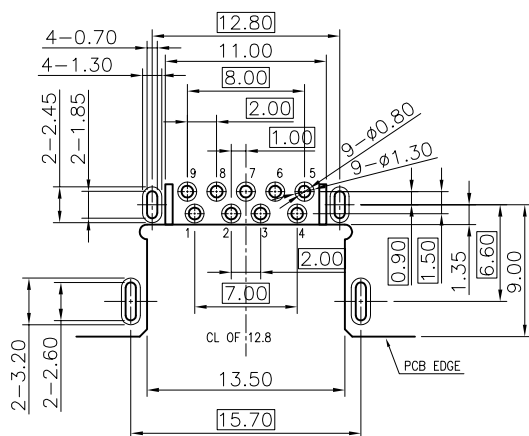
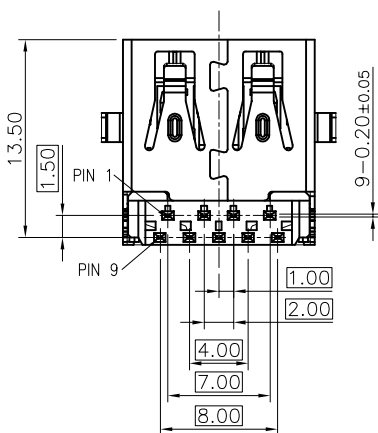
- NOTES:
- MATERIAL:
    - HOUSING: SEE TABLE
    - CONTACTS: SEE TABLE
    - SHELL: SEE TABLE
  - FINISH:
    - CONTACT: SEE P/N
    - SHELL: SEE TABLE
  - THE CONNECTOR IS RoHS COMPLIANT, AND MEET USB3.0 GEN 1 DATA TRANSFER RATE REQUIREMENT
  - DATE CODE: XXXXXX  
 YEAR MONTH DATE FACTORY
  - SPEC. PLS. REFER TO PS-55928-XXXXX-XXX
  - PACKAGE PLS. REFER TO 30134-XXXXX-XX-TRP
  - P/N: 30134-009 X X-001



CKTS: 001: BLUE  
 PACKING: 0: TAPE&REEL  
 PLATING: 2: GOLD FLASH ON CONTACT AREA



3D VIEW



RECOMMENDED PCB LAYOUT  
(COMPONENT SIDE, TOLERANCE: ±0.05)

NO	DESCRIPTION	Q'TY	MATERIAL	PLATING & COLOR
3	SHELL	1	STAINLESS STEEL	50u" MIN. NICKEL PLATED
2	TERMINAL	9	PHOSPHOR BRONZE	50u" MIN. NICKEL UNDERPLATED CONTACT AREA: SEE P/N SOLDER AREA: 100u" MIN. MATTE TIN PLATED
1	HOUSING	1	LCP+G.F	UL 94V-0, COLOR: SEE P/N

Pin #	SIGNAL NAME	QUALITY SYMBOLS	DRAWN BY	DATE
1	VBUS	MAJOR	LIAO WAN TING	'18/03/12
2	D-	CRITICAL	CHECKED BY	DATE
3	D+	GENERAL TOLERANCES (UNLESS SPECIFIED)	TENG CHANG HO	'18/03/12
4	GND		APPROVED BY	DATE
5	StdA_SSRX-	X. ±0.5	KUO JUNG HSUN	'18/03/12
6	StdA_SSRX+	.X ±0.25		
7	GND_DRAIN	.XX ±0.15		
8	StdA_SSTX-	.XXX ±0.1		
9	StdA_SSTX+	ANGLES ±2°		
Shell	Shield			

UNITS	mm	SIZE	A4
SCALE	1 OF 1	DWG. NO.	30134-XXXXX-XXX
SHEET NO.	1 OF 1	REV	0
		PART NO.	SEE NOTES